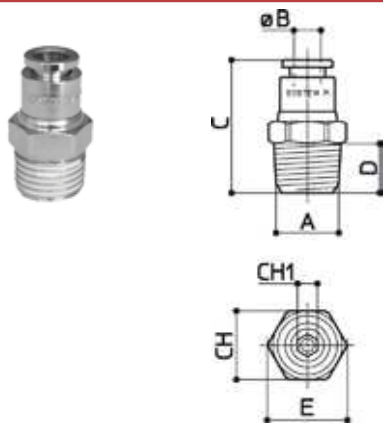




**10**

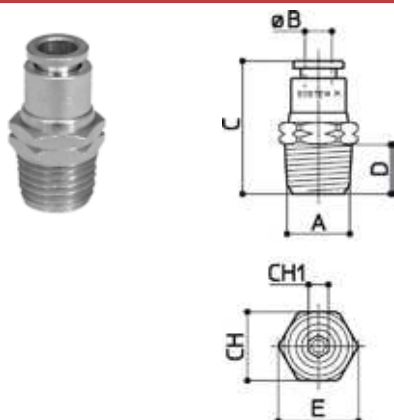
**FISSO DIRITTO CONICO**  
*FIXED TAPERED STRAIGHT*



<b>CODICE</b>	<b>A</b>	<b>B</b>	<b>C</b>	<b>D</b>	<b>E</b>	<b>CH</b>	<b>CH1</b>	<b>GR</b>
<b>108040T</b>	R1/8	4	22	8	11.2	10	3	8
<b>104040T</b>	R1/4	4	25	10	15.5	14	3	17
<b>108050T</b>	R1/8	5	22	8	11.2	10	4	8
<b>104050T</b>	R1/4	5	25	10	15.5	14	4	17
<b>108060T</b>	R1/8	6	22	8	13.4	12	4	12
<b>104060T</b>	R1/4	6	27	10	15.5	14	4	18
<b>108080T</b>	R1/8	8	29	8	15.5	14	6	16
<b>104080T</b>	R1/4	8	28	10	15.5	14	6	17
<b>103080T</b>	R3/8	8	30	11	19	17	6	29
<b>104100T</b>	R1/4	10	34	10	19	17	8	28
<b>103100T</b>	R3/8	10	33	11	19	17	8	31
<b>102100T</b>	R1/2	10	36	14	24.5	22	8	59
<b>104120T</b>	R1/4	12	37	10	23.5	21	8	43
<b>103120T</b>	R3/8	12	36	11	23.5	21	10	42
<b>102120T</b>	R1/2	12	36	14	24.5	22	10	54
<b>103140T</b>	R3/8	14	41	11	28	25	10	74
<b>102140T</b>	R1/2	14	41	14	28	25	12	76

**10**

**FISSO DIRITTO NPT**  
*FIXED STRAIGHT NPT*



<b>CODICE</b>	<b>A</b>	<b>B</b>	<b>C</b>	<b>D</b>	<b>E</b>	<b>CH</b>	<b>CH1</b>	<b>GR</b>
<b>10K040</b>	N1/8	4	22	8	11.2	10	3	8
<b>10X040</b>	N1/4	4	25	10	15.5	14	3	17
<b>10K060</b>	N1/8	6	22	8	13.4	12	4	13
<b>10X060</b>	N1/4	6	27	10	15.5	14	4	19
<b>10K080</b>	N1/8	8	29	8	15.5	14	6	16
<b>10X080</b>	N1/4	8	28	10	15.5	14	6	18
<b>10X100</b>	N1/4	10	34	10	19	17	8	29
<b>10Y100</b>	N3/8	10	33	11	19	17	8	32
<b>10X120</b>	N1/4	12	37	10	23.5	21	8	44
<b>10Y120</b>	N3/8	12	36	11	23.5	21	10	42
<b>10Z120</b>	N1/2	12	36	14	24.5	22	10	54

**10**

**FISSO DIRITTO RIDOTTO METRICO+OR**  
*FIXED METRIC+OR REDUCED STRAIGHT*



<b>CODICE</b>	<b>A</b>	<b>B</b>	<b>C</b>	<b>D</b>	<b>E</b>	<b>CH</b>	<b>GR</b>
<b>105408</b>	M5	4	22	4	9	2,5	5
<b>106408</b>	M6x0.75	4	23	5	9	2,5	6
<b>106148</b>	M6x1	4	23	5	9	2,5	6
<b>105508</b>	M5	5	23	4	10	2,5	6