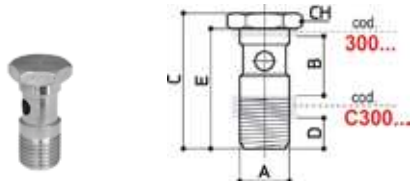


**C35**

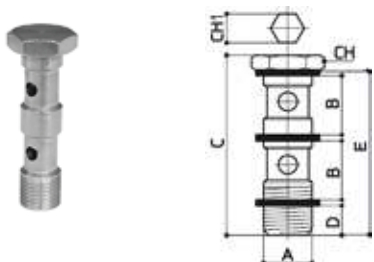
**TIRANTE 1 POSIZIONE LUNGO**  
LONG SINGLE HOLLOW BANJO



CODICE	A	B	C	D	E	CH	GR
<b>C3580L</b>	G1/8	14	31	6.5	27	14	15
<b>C3540L</b>	G1/4	16	33.5	6.5	29	17	27

**36**

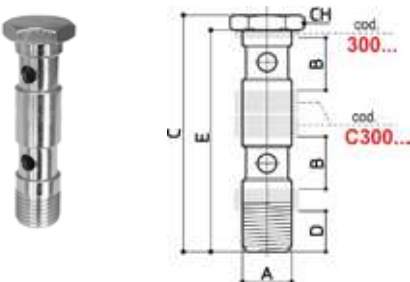
**TIRANTE 2 POSIZIONI**  
DOUBLE HOLLOW BANJO



CODICE	A	B	C	D	E	CH	CH1	GR	Rondelle
<b>365000</b>	M5	9	28.5	4	25	8	4	4	NYLON
<b>368000</b>	G1/8	14	43	6.5	39	14		19	NYLON IM
<b>368000/F</b>	G1/8	14	43	6.5	39	14		19	ALLUM.
<b>368000/T</b>	G1/8	14	43	6.5	39	14		19	NYLON
<b>364000</b>	G1/4	16	46	4	42	17		34	NYLON IM
<b>364000/F</b>	G1/4	16	46	5.5	42	17		35	ALLUM.
<b>364000/T</b>	G1/4	16	46	5.5	42	17		32	NYLON

**C36**

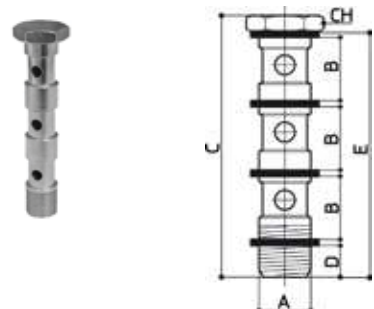
**TIRANTE 2 POSIZIONI LUNGO**  
LONG DOUBLE HOLLOW BANJO



CODICE	A	B	C	D	E	CH	GR
<b>C3680L</b>	G1/8	14	56	7.5	52	14	24
<b>C3640L</b>	G1/4	16	58.5	5.5	54	17	43

**37**

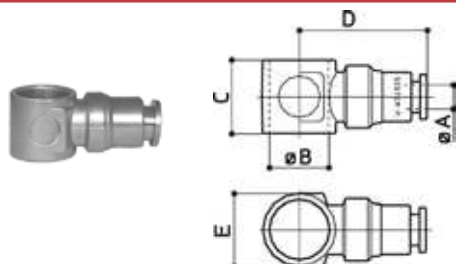
**TIRANTE 3 POSIZIONI**  
TRIPLE HOLLOW BANJO



CODICE	A	B	C	D	E	CH	GR	Rondelle
<b>378000</b>	G1/8	14	58.5	6.5	54.5	14	25	NYLON IM
<b>378000/F</b>	G1/8	14	58.5	6.5	54.5	14	25	ALLUM.
<b>378000/T</b>	G1/8	14	58.5	6.5	54.5	14	25	NYLON
<b>374000</b>	G1/4	16	64	4	60	17	47	NYLON IM
<b>374000/F</b>	G1/4	16	64	6	60	17	46	ALLUM.
<b>374000/T</b>	G1/4	16	64	6	60	17	42	NYLON

**38**

**TESTINA ORIENTABILE-L**  
BANJO ELBOW



CODICE	A	B	C	D	E	GR
<b>385040</b>	4	5.2-M5	9	19	9	8
<b>385050</b>	5	5.2-M5	10	20	10	12
<b>388040</b>	4	10.3-1/8	14	22.5	14	11
<b>388050</b>	5	10.3-1/8	14	23	14	21
<b>388060</b>	6	10.3-1/8	14	25.5	14	15
<b>388080</b>	8	10.3-1/8	14	27	15	17
<b>384060</b>	6	13.3-1/4	16	27	17	18
<b>384080</b>	8	13.3-1/4	16	28.5	14	20
<b>384100</b>	10	13.3-1/4	16	35	17	32