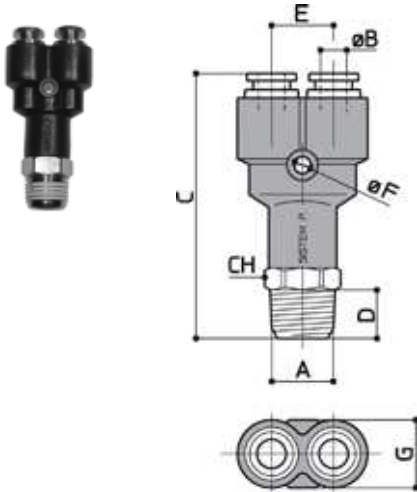




**34**

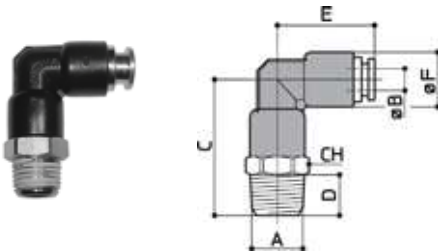
**GIREVOLE-Y CONICO RESINA**  
*SWIVEL TAPERED STUD BRANCH Y RESIN*



CODICE	A	B	C	D	E	F	CH	GR
345042	M5	4	39.5	4	10	3.2	10	13
348042T	R1/8	4	43.5	8	10	3.2	11	15
344042T	R1/4	4	46	10	10	3.2	14	22
348062T	R1/8	6	51.5	8	13	3.2	14	28
344062T	R1/4	6	54	10	13	3.2	14	31
348082T	R1/8	8	58.5	8	17	4.2	16	41
344082T	R1/4	8	61.5	10	17	4.2	16	42
343082T	R3/8	8	62.5	11	17	4.2	17	45

**20**

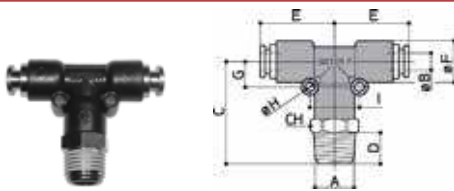
**GIREVOLE-L CONICO RESINA**  
*SWIVEL TAPERED ELBOW RESIN*



CODICE	A	B	C	D	E	F	CH	GR
205042	M5	4	23	4	18.5	10	10	9
208042T	R1/8	4	26.5	8	18.5	10	11	11
204042T	R1/4	4	29.5	10	18.5	10	14	19
208062T	R1/8	6	30.5	8	24	13.5	14	20
204062T	R1/4	6	33.5	10	24	13.5	14	23
208082T	R1/8	8	32	8	25.5	15.5	16	28
204082T	R1/4	8	35	10	25.5	15.5	16	30
203082T	R3/8	8	36	11	25.5	15.5	17	32
204102T	R1/4	10	39	10	30	18.5	19	42
203102T	R3/8	10	40	11	30	18.5	19	47
202102T	R1/2	10	43	14	30	18.5	22	46

**40**

**GIREVOLE-T CENTRALE CONICO RESINA**  
*SWIVEL TAPERED STUD BRANCH TEE RESIN*



CODICE	A	B	C	D	E	F	G	H	I	CH	GR
405042	M5	4	23	4	18.5	10	6	2.5	12	10	12
408042T	R1/8	4	26.5	8	18.5	10	6	2.5	12	11	14
404042T	R1/4	4	29.5	10	18.5	10	6	2.5	12	14	14
408062T	R1/8	6	30.5	8	24	13.5	8.5	3.2	16	14	27
404062T	R1/4	6	33.5	10	24	13.5	8.5	3.2	16	14	30
408082T	R1/8	8	32	8	25.5	15.5	9	3.2	18	16	37
404082T	R1/4	8	35	10	25.5	15.5	9	3.2	18	16	39
403082T	R3/8	8	36	11	25.5	15.5	9	3.2	18	17	43
404102T	R1/4	10	39	10	30	18.5	11.5	4.2	22	19	55
403102T	R3/8	10	40	11	30	18.5	11.5	4.2	22	19	59
402102T	R1/2	10	43	14	30	18.5	11.5	4.2	22	22	61