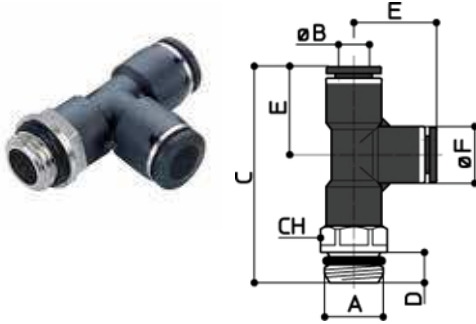


K33

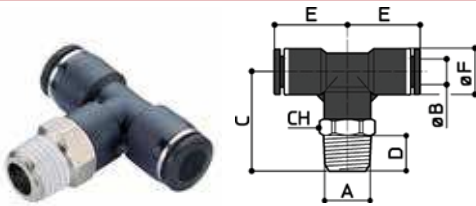
GIREVOLE-T LATERALE CILINDRICO+OR SERIE-K
SWIVEL CYLINDRICAL+OR STUD LATERAL TEE K-SERIES



CODICE	A	B	C	D	E	F	CH	GR
K335048	M5	4	33.7	4	12.9	11	10	10
K336048	M6	4	39	4.5	12.9	11	10	10
K338047	G1/8	4	34.8	5.5	12.9	11	14	12
K334047	G1/4	4	37.3	6	12.9	11	17	17
K335068	M5	6	37	4	14.5	13.5	12	15
K336068	M6	6	44.4	4.5	14.5	13.5	12	15
K338067	G1/8	6	38.5	5.5	14.5	13.5	14	17
K334067	G1/4	6	40.5	6	14.5	13.5	17	18
K333067	G3/8	6	41	7	14.5	13.5	20	23
K332067	G1/2	6	44.5	9	14.5	13.5	24	28
K338087	G1/8	8	43.5	5.5	17	14.5	14	20
K334087	G1/4	8	45.5	6	17	14.5	17	21
K333087	G3/8	8	46	7	17	14.5	20	26
K332087	G1/2	8	49.5	9	17	14.5	24	30
K338108	G1/8	10	47	5.5	18.5	18	17	30
K334107	G1/4	10	49	6	18.5	18	17	31
K333107	G3/8	10	49.5	7	18.5	18	20	34
K332107	G1/2	10	52.5	9	18.5	18	24	40
K334127	G1/4	12	58.5	6	23	20.5	21	40
K333127	G3/8	12	59	7	23	20.5	21	43
K332127	G1/2	12	61.5	9	23	20.5	24	48
K333147	G3/8	14	63	7	29	24	20	63
K332147	G1/2	14	66.5	9	29	24	24	70
K333167	G3/8	16	65	7	30.5	25.5	20	65
K332167	G1/2	16	68.5	9	30.5	25.5	24	71

K40

GIREVOLE-T CENTRALE CONICO SERIE-K
SWIVEL TAPERED BRANCH TEE K-SERIES



CODICE	A	B	C	D	E	F	CH	GR
K408040T	R1/8	4	22.4	7.5	18	11	10	10
K404040T	R1/4	4	25.2	9	18	11	14	15
K408060T	R1/8	6	25.1	7.5	18	13.5	12	15
K404060T	R1/4	6	26.4	9	18	13.5	14	18
K403060T	R3/8	6	27.9	10.5	18	13.5	17	23
K402060T	R1/2	6	32.5	12	18	13.5	21	31
K408080T	R1/8	8	27.5	7.5	21	14.5	14	19
K404080T	R1/4	8	29.5	9	21	14.5	14	20
K403080T	R3/8	8	31	10.5	21	14.5	17	25
K402080T	R1/2	8	35	12	21	14.5	21	33
K408100T	R1/8	10	29.7	7.5	23	18	17	30
K404100T	R1/4	10	31.5	9	23	18	17	32
K403100T	R3/8	10	33	10.5	23	18	17	35
K402100T	R1/2	10	36.5	12	23	18	21	42
K404120T	R1/4	12	36.5	9	29	20.5	21	41
K403120T	R3/8	12	37.5	10.5	28	20.5	21	43
K402120T	R1/2	12	41	12	28	20.5	21	49
K403140T	R3/8	14	37	10.5	31	24	19	62
K402140T	R1/2	14	40.5	12	31	24	21	64
K403160T	R3/8	16	41.5	10.5	32.5	25.5	19	67
K402160T	R1/2	16	45.5	12	32.5	25.5	21	67