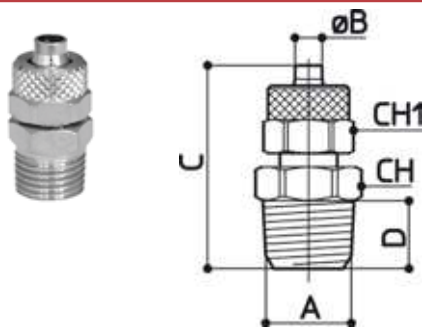


**C10**

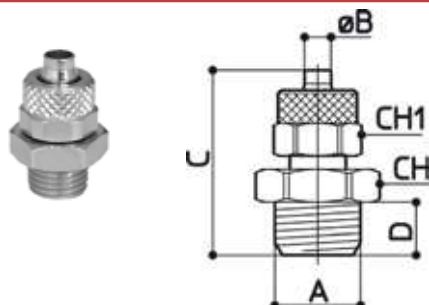
**FISSO DIRITTO CONICO CALZAM.**  
*FIXED TAPERED STRAIGHT PUSH-ON*



CODICE	A	B	C	D	CH	CH1	GR
C10805	R1/8	5/3	26	8	12	9	10
C10806	R1/8	6/4	27.5	8	12	12	15
C10406	R1/4	6/4	31	11	14	12	21
C10306	R3/8	6/4	31.5	11	17	12	26
C10808	R1/8	8/6	28	8	13	14	18
C10408	R1/4	8/6	32	11	14	14	23
C10308	R3/8	8/6	31.5	11	17	14	28
C10810	R1/8	10/8	29.5	8	14	16	25
C10410	R1/4	10/8	32.5	11	14	16	27
C10310	R3/8	10/8	33	11	17	16	34
C10210	R1/2	10/8	38	14	22	16	46
C10412	R1/4	12/10	34	11	17	19	37
C10312	R3/8	12/10	34.5	11	17	19	37
C10212	R1/2	12/10	38	14	22	19	49
C10215	R1/2	15/12.5	39.5	14	22	22	62

**C10**

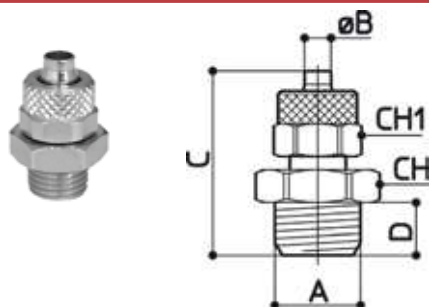
**FISSO DIRITTO CILINDRICO CALZAM.**  
*FIXED PARALLEL STRAIGHT PUSH-ON*



CODICE	A	B	C	D	CH	CH1	GR
C108059	G1/8	5/3	23	6	14	8	11
C108069	G1/8	6/4	25.5	6	14	12	16
C104069	G1/4	6/4	28	8	17	12	24
C103069	G3/8	6/4	29	9	19	12	27
C108089	G1/8	8/6	26	6	14	14	19
C104089	G1/4	8/6	29	8	17	14	24
C103089	G3/8	8/6	30.5	9	19	14	31
C108109	G1/8	10/8	27.5	6	14	16	24
C104109	G1/4	10/8	29.5	8	17	16	30
C103109	G3/8	10/8	32	9	19	16	34
C102109	G1/2	10/8	33.5	10	24	16	48
C103129	G3/8	12/10	32.5	9	19	19	37
C102129	G1/2	12/10	34	10	24	19	55
C102159	G1/2	15/12.5	35.5	10	24	22	60

**C10**

**FISSO DIRITTO METRICO CALZAM.**  
*FIXED METRIC STRAIGHT PUSH ON*



CODICE	A	B	C	D	CH	CH1	GR
C10505	M5	5/3	20.5	4	8	9	6
C10605	M6x1	5/3	21	5	8	8	5
C10506	M5	6/4	21.5	4	8	9	6
C10606	M6x1	6/4	22.5	5	8	9	6
C1012126	M12x1.25	6/4	28	8	17	12	23
C1012156	M12x1.5	6/4	28	8	17	12	22
C1012128	M12x1.25	8/6	28	8	17	14	24
C1012158	M12x1.5	8/6	28	8	17	14	24